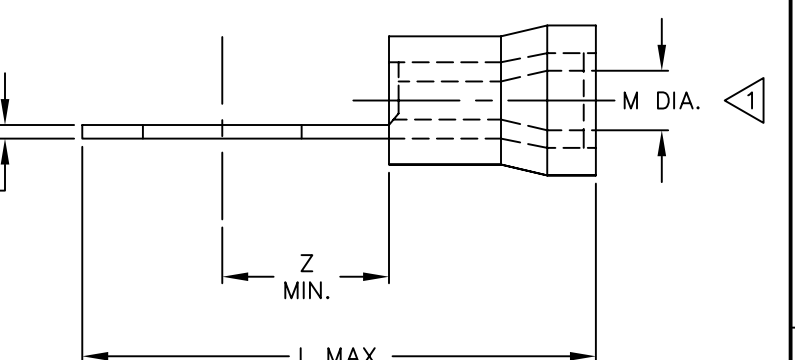
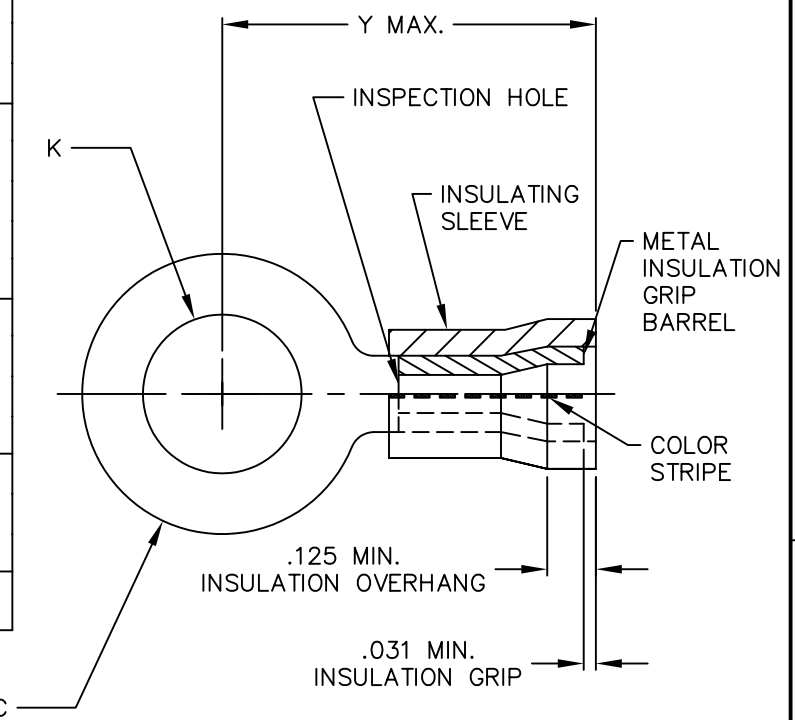


DRAWING NO.  
SD079650-01

CATALOG NO.	ITEM	WIRE SIZE (STR AWG)	STUD SIZE	COLOR STRIPES	"C" DIA.		"K" DIA.		L MAX.	M	T		Y MAX.	Z MAX.	WIRE STRIP LENGTH	MR10G6 FULL CYCLE HAND RATCHET TOOL
					MAX.	MIN.	MAX.	MIN.			MAX.	MIN.				
YAES18K-1	1	22-18	#6	RED	.230	.222	.152	.142	.755	.120	.035	.029	.644	.202	7/32	RED GROOVE
YAES18K-49	2	22-18	#8	RED	.318	.306	.178	.168	.910	.120	.035	.029	.757	.289		
YAES18K-3	3	22-18	#10	RED	.318	.306	.203	.193	.910	.120	.035	.029	.757	.289		
YAES14K-6	4	16-14	#6	BLUE	.256	.244	.152	.142	.774	.153	.035	.029	.652	.221	7/32	BLUE GROOVE
YAES14K-53	5	16-14	#8	BLUE	.317	.306	.178	.168	.910	.153	.035	.029	.757	.289		
YAES14K-8	6	16-14	#10	BLUE	.317	.306	.203	.193	.910	.153	.035	.029	.757	.289		
YAES14K-54	7	16-14	1/4	BLUE	.460	.450	.275	.260	1.085	.153	.035	.029	.860	.405	3/8	YELLOW GROOVE
YAES10K-11	8	12-10	#6	YELLOW	.380	.368	.152	.142	1.120	.210	.043	.037	.936	.255		
YAES10K-56	9	12-10	#8	YELLOW	.380	.368	.178	.168	1.120	.210	.043	.037	.936	.255		
YAES10K-12	10	12-10	#10	YELLOW	.380	.368	.203	.193	1.120	.210	.043	.037	.936	.255	3/8	YELLOW GROOVE
YAES10K57	11	12-10	1/4	YELLOW	.536	.524	.275	.260	1.322	.210	.043	.037	1.060	.370		
YAES10K-13	12	12-10	5/16	YELLOW	.536	.524	.338	.323	1.322	.210	.043	.037	1.060	.370		
YAES18K-2	13	22-18	#6	RED	.256	.245	.152	.142	.865	.120	.035	.029	.743	.289	7/32	RED GROOVE
YAES18K-4	14	22-18	5/46	RED	.460	.450	.338	.323	1.090	.120	.035	.029	.865	.406		
YAES18K-5	15	22-18	3/8	RED	.536	.524	.400	.385	1.170	.120	.035	.029	.908	.453		
YAES18K-48	16	22-18	#4	RED	.230	.222	.122	.114	.755	.120	.035	.029	.644	.202	7/32	BLUE GROOVE
YAES18K-50	17	22-18	1/4	RED	.460	.450	.275	.260	1.090	.120	.035	.029	.865	.406		
YAES14K-7	18	16-14	#6	BLUE	.317	.306	.152	.142	.910	.153	.035	.029	.757	.289		
YAES14K-9	19	16-14	5/16	BLUE	.460	.450	.338	.323	1.085	.153	.035	.029	.860	.405	7/32	BLUE GROOVE
YAES14K-10	20	16-14	3/8	BLUE	.534	.522	.400	.385	1.175	.153	.035	.029	.914	.453		
YAES14K-52	21	16-14	#4	BLUE	.256	.244	.122	.114	.774	.153	.035	.029	.652	.221		
YAES10K-14	22	12-10	3/8	YELLOW	.583	.573	.400	.385	1.336	.210	.043	.037	1.052	.400	3/8	YELLOW GROOVE
YAES10K-58	23	12-10	1/2	YELLOW	.720	.705	.525	.510	1.414	.210	.043	.037	1.062	.450		
YAES10K-11T1	24	12-10	#6	YELLOW	.312	.300	.152	.142	1.092	.210	.043	.037	.936	.255		
YAES14K-55	25	16-14	1/2	BLUE	.720	.705	.525	.510	1.320	.153	.035	.029	.965	.453	7/32	BLUE GROOVE

REV.	DATE	DESCRIPTION	ECO	BY	C'K'D.
B	08/12/2011	AS PER FOCUS REQUEST ADDED NOTE: 3	25358	MRA	MA



NOTES:

1 MAXIMUM CABLE INSULATION DIAMETER ACCOMMODATED.

VOLTAGE RATING: 600V  
OPERATING TEMPERATURE RANGE: -65° C TO 150° C

MATERIAL: INSULATION- POLYVINYLIDENE FLUORIDE (PVF<sub>2</sub>)  
COLOR- SEE TABLE (LONGITUDINAL STRIPES)

TERMINAL: HIGH CONDUCTIVITY PURE ELECTROLYTIC COPPER.

FINISH: TERMINAL-

1. TIN PLATING IS STANDARD.
2. ADD SUFFIX NUMBERS SHOWN FOR NICKEL PLATING INSTEAD OF TIN.
3. ADD SUFFIX "SV" FOR SILVER PLATING.

RADIATION RESISTANT HIGH TEMP. INSULUG	
ITEM NO: --	
CAT NO: YAES--K- (SEE TABLE)	
SCALE: NTS	
DRAWN BY: R. BOISVERT	01/06/09
CHECKER: P. LAPONIUS	01/06/09
DSN APPVL: ESR	09/29/76
MFG APPVL: --	--
QC APPVL: --	--
MKT APPVL: --	--
PROD FAM: --	
PROJECT #: --	SIZE
DOCUMENT TYPE: Sales	C
REL LEVEL: AutoCAD	
<b>6<sup>TH</sup> BURNDY</b>	
DRAWING NO	REV
SD079650-01	B
SHEET 1 OF 1	